



Ts.o SERIES PROCESS INDUSTRY BIMETAL THERMOMETER MODEL :320

BIMETAL THERMOMETERS



Applications:

320 is bimetal thermometers is with all stainless steel construction ,which is suitable for corrosive media and environments in chemical process, petroleum and food industry.

Specification :

Dial size:

2.5",3",4",6"

Temperature elemer

Coiled bimetal

Accuracy class:C1 1,6

Maximum pressure rating of stem :25 bar

Location of stem: lower mount

Case: 304 stainless steel

Connection: 1/2"BSP 316 stainless

Stem: 6mm diameter, stainless steel,

Dial: Aluminum, white with black writing

Pointer: Aluminum, Black

Zero adjustment : Externally at back of case(applicable for crimped ring)

Window: Instrument Glass

Ranges: -30+50/-20+60/0-60/0-80/-120/0-160/0-200/0-250/0-300/0-400/

0-500/0-600 centigrade.

Option:

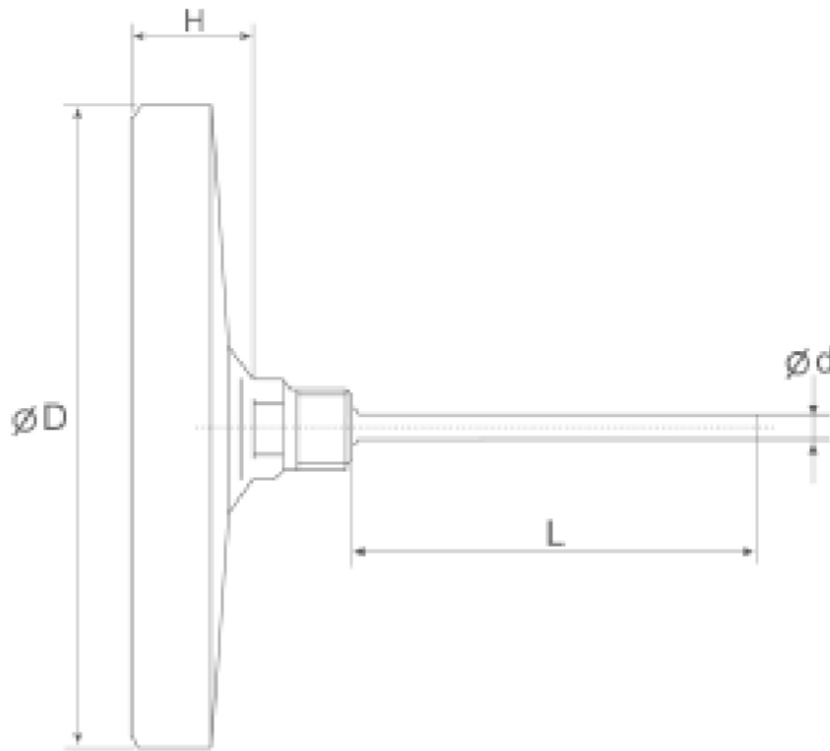
NPT thread, 1/4" , 3/8" thread

Slide connection, rotating connection

8 or 10mm stem diameter

Liquid dampening

Dimensions:



DIAL SIZE	D	H	d	L
2.5"	$\varnothing 73$	18	6~10	1.5"~1.2"
3"	$\varnothing 80$	18	6~10	1.5"~1.2"
4"	$\varnothing 111$	28	6~10	1.5"~1.2"
6"	$\varnothing 161$	30	6~10	1.5"~1.2"

