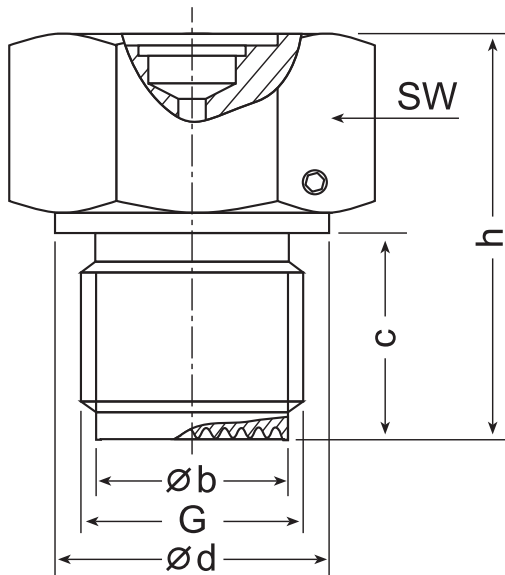


**SMALL DIAPHRAGM SEAL,  
THREADED PROCESS CONNECTION  
WITH FLUSH DIAPHRAGM  
MODEL: DCS220**



## Dimensions



Dimensions in mm

G	b	SW	d	c	h
G 1/2 B	17	27	26	20	45
G 3/4 B	22	32	32	20	45
G 1 B	25	41	39	28	60
G 1-1/2 B	40	55	60	30	62

## Applications

To isolate the sensing element of pressure gauges or transducers from process fluids that may be corrosive, viscous, crystallise etc pressure media, ideally for painting industry

- Special Features
- Compact size
  - Flush diaphragm
  - No dead space

## Specification

316 stainless steel male thread, G1/2, G3/4, G1, G1-1/2

Working pressure: 0-10 bar to 600 bar

Instrument connection:

- G 1/4 female for process connection G 1/2, G 3/4
- G 1/2 female for process connection G 1, G 1-1/2

Body: 316 Stainless steel

Diaphragm: 316L stainless steel, laser welded with body

Standard mounting with 63mm dial size gauge for G 1/2 and G 3/4 process connection, 100mm dial size gauge for G 1 and G 1-1/2 process connection

Working media filling: **Silicone oil**

## Option

- 316L stainless steel body
- Special material on request
- Assembly with cooling tower
- Special fill working media for painting industry