



**BOURDON TUBE PRESSURE  
GAUGE**

**G.RB SERIES LIQUID FILLABLE  
GAUGE WITH DIN BAYONET RING  
MODEL: GR1202**



**Applications:**

1202 series pressure gauge is for quality industrial high vibration applications requiring damping. Furthermore, this type is only suitable for gases and liquids that do not attack the brass measuring system. It has robust design.

**Specifications:**

**Nominal sizes:**

2.5", 4" , 6"

**Connection:**

BSP 1/4" for 2.5"

BSP 1/2" for 4" , 6"

**Scale Range, according to EN 837-1/5**

Pressure ranges: 0 to 0.6/1/1.6/2.5/4.6/10/16/25/40/60/100/160/250/400/600/1000 bar

Vacuum range: -1 to 0 bar

Compound pressure: -1 to 0.6/1.5/3/5/9/15/24 bar

**Operating Temperature:**

Ambient: - 40°C to 60°C, medium: 60°C maximum

**Material specification:**

Case: 304 stainless steel case and DIN bayonet ring Window: instrument glass

Wetted parts: copper alloy bourdon tube and brass connection,

Movement: brass

Standard filling: glycerin

**Options:**

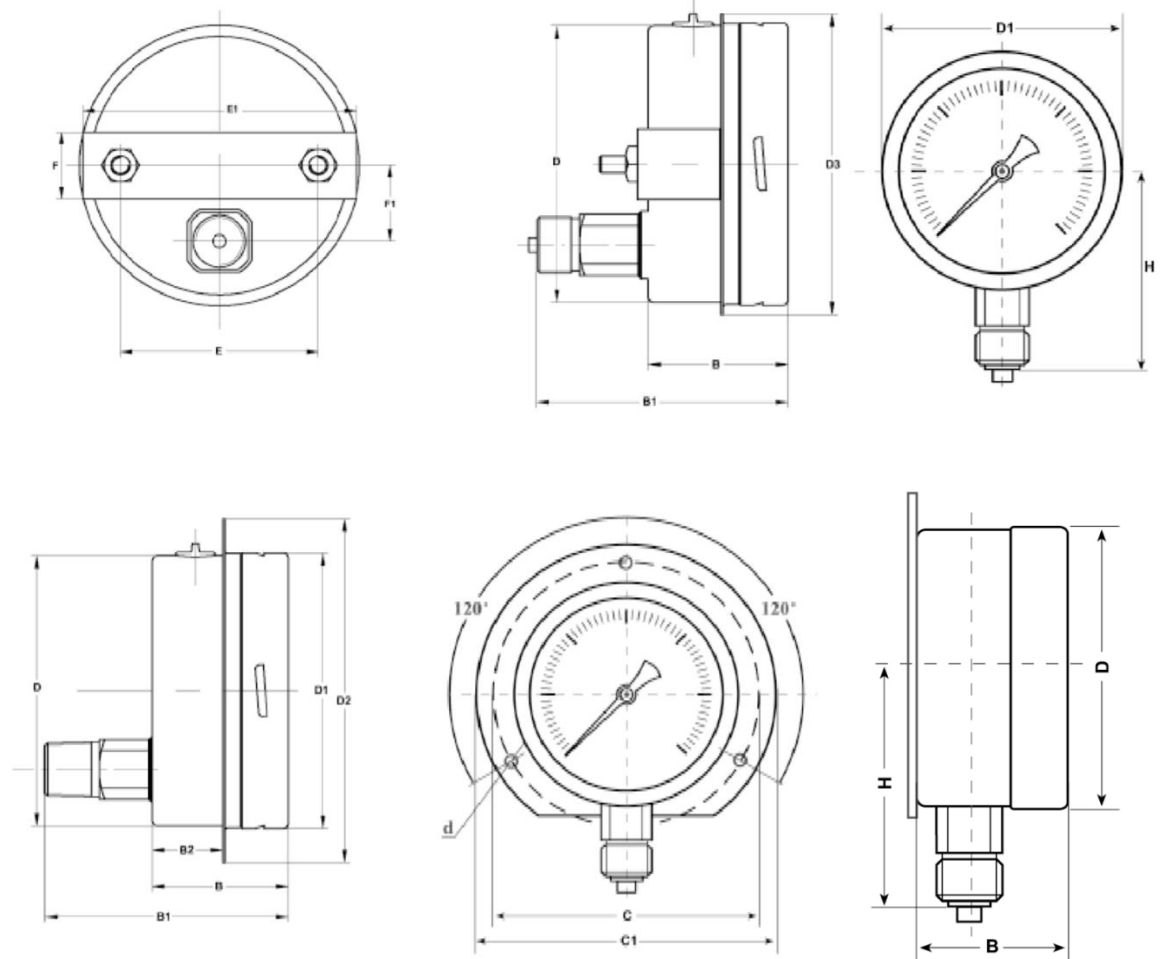
NPT, BSPT or other process connection

Restrictor

Double dial range or other dial ranges

Silicone oil filling, refrigeration scales

**DIMENSION:**



DIAL SIZE	D	D1	D2	D3	H	B	B1	C	C1	E	E1	F	F1	d
2.5"	62	64	85	--	54	34	57	Ø77	Ø85	--	--	-	--	Ø3.5
4"	99	101	128	107.5	83	50	83	Ø118.5	Ø128	76	76	25.5	29	Ø5
6"	147	149	--	--	108	50	83	Ø161	Ø181	--	--	--	--	Ø5

dimensions are approximate and can be changed without prior notice