



**BOURDON TUBE  
PRESSURE GAUGE**

**G.D SERIES STANDARD  
PRESSURE GAUGE  
MODEL: GD 1101**



**Application:**

1101 series standard gauge is for use in light industry and suitable for gases and liquids that do not attack the brass measuring system.

**Specifications:**

**Nominal sizes:**

1.5", 2", 2.5", 4", 6", 8" and 10"

**Connection:**

BSP 1/8 for 1.5"

BSP 1/8 for 2" , 2.5"

BSP 1/8 for 4" , 6" , 8" , 10"

**Scale Range, according to EN 837- 1/5**

Pressure ranges: 0 to 0.6/1/1. 6/2. 5/4/6/10/16/25/40/60/100/160/250/400 bar

Vacuum range: -1 to 0 bar

Compound pressure: -1 to 0.6/1.5/3/5/9/15/24 bar

**Operating Temperature:**

Ambient: -40°C to 60°C, medium: 60°C maximum

**Material specification:**

Case: black steel case and bezel with bolt locked

Window: instrument glass

Wetted parts: copper alloy bourdon tube and brass connection,

Movement: brass

**Options:**

NPT, BSPT or order process connection

Restrictor

Oil and grease free for oxygen

Double dial range or other dial ranges

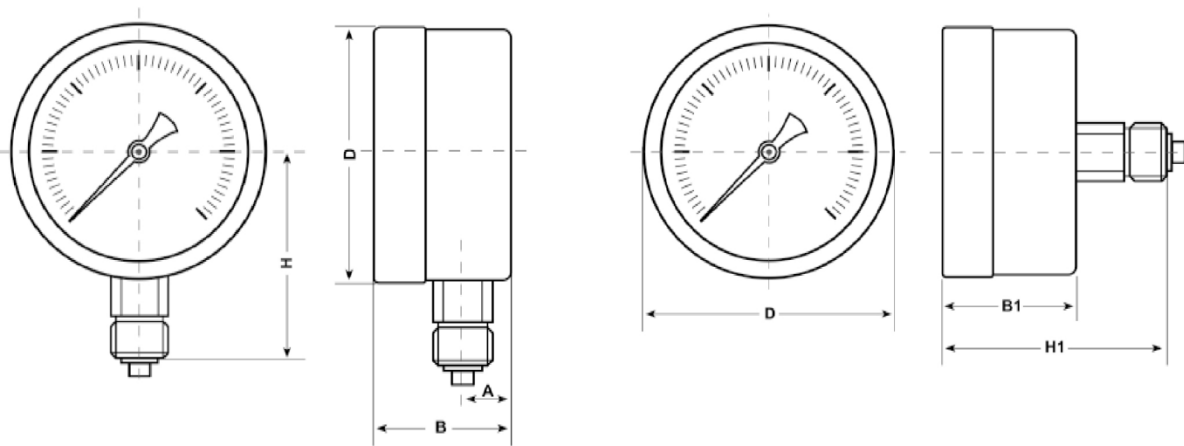
Acrylic window

Chrome plated steel case, brass case, stainless steel case

**DIMENSION:**

(Lower mount)

(Back mount)



DIAL SIZE	D	B/B1	A	H	H
1.5"	$\phi$ 42.5	23/24.5	8	37	39
2"	$\phi$ 53	28/27.5	10	46	47
2.5"	$\phi$ 63.5	28	10	52	47
4"	$\phi$ 100.5	35	13/15.5	80	59
6"	$\phi$ 150	49	18	114	-
8"	$\phi$ 200	49	18	144	-
10"	$\phi$ 250	50	19	175	-



[www.stgauge.com](http://www.stgauge.com)

