

CAPSULE AND DIAPHRAGM
PRESSURE GAUGE

**G.MBAR SERIES CAPSULE
LOW
PRESSURE GAUGE
MODEL: GM 1501**



Application

1501 series capsule low pressure gauge is suitable for dry and gaseous media that does not attack copper alloy parts. It is mainly used for medical, vacuum, laboratory technology for contents measurement and filter monitoring.

Specifications:

Nominal sizes:
4" & 2/5"

Connection:

BSP 1/2" for 4"
BSP 1/4" for 2/5"

Scale Range, according to EN 837-1/5

Pressure ranges: 0 to 16/25/40/60/100/160/250/400/600/1000 mbar
Vacuum range: -600/-400/-250/-160/-100/-60/-40/-25/-16 to 0 mbar

Operating Temperature:

Ambient: -20 °C .. + 60 °C
Medium: +60 °C maximum

Material Specification:

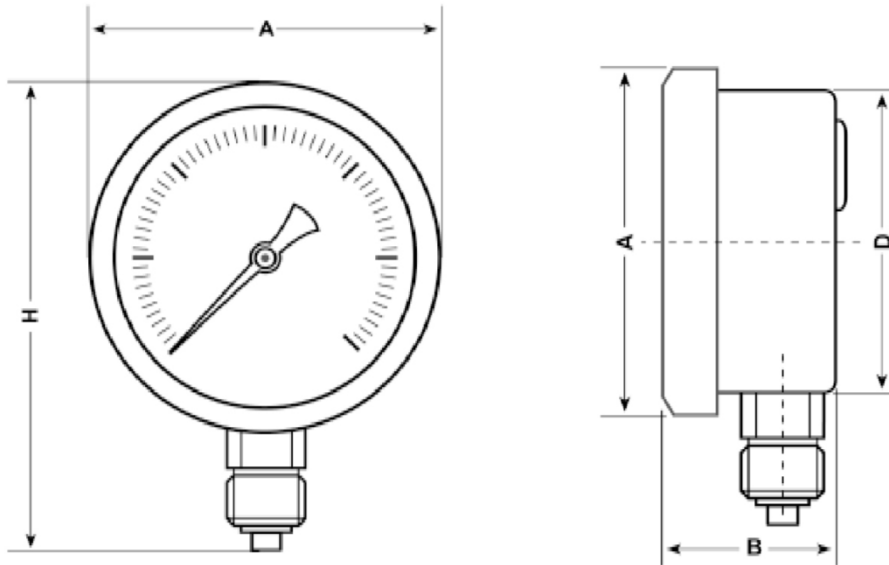
Case and bayonet ring: AISI 304 stainless steel Window: Instrument Glass
Wetted parts: copper capsule, brass connection
Movement: brass

Options:

NPT, BSPT or other process connection
Restrictor

Double dial range or other dial ranges

DIMENSION:



DIAL SIZE	A	H	B	D
4"	Ø110	86	49	98

dimensions are approximate and can be changed without prior notice

